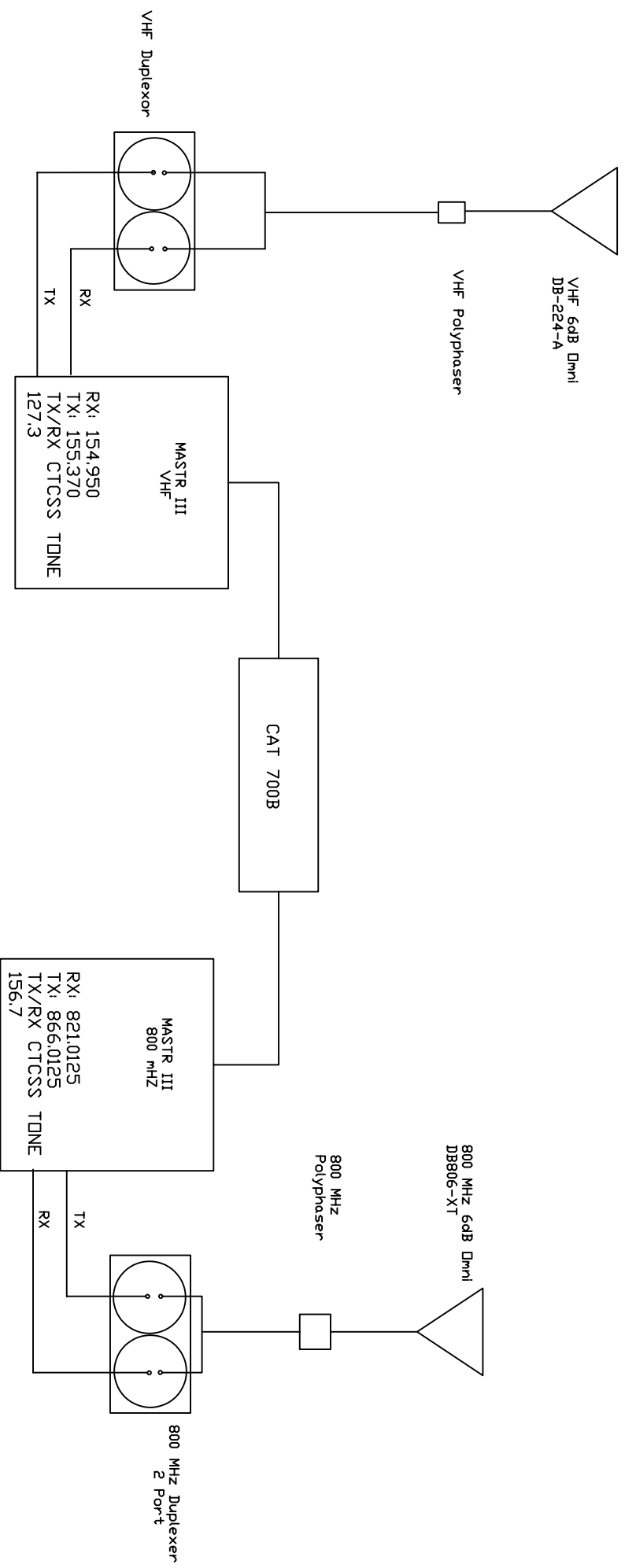


**Lower Rio Grande River Development Council
CONFIGURATION GUIDE**

RAYMONDVILLE SITE CONFIGURATION #2



In same 83" cabinet
as #1